

## Uchwyt do końcówek

Bit holder / Aufnahme für Spitzen / Зажим для наконечников / Тримач до наконечників / Csavarbehajtószer / Dispozitiv de prinderea capetelor / Skličadlo na nástavce / Upínadlo na nástavce / Vpenjalo za nastavke / Laikikkis antagialims / Uzgāju patrona / Otsakupadrin / Держач за накруйниці / Drška za nastavke / Hvata za nastavke / Προσαρμογέας μπιτών / Mandril de sujeción para puntas / Innesto per inserti con impugnatura / Suporte de ponteiros / Manche pour embouts / Houder voor eindstukken

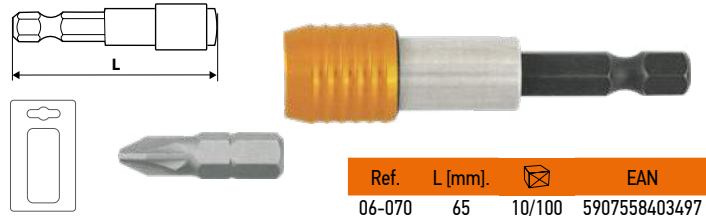
**NEO TOOLS**



25 years GUARANTEE  
CrV steel  
1/4"

Ref.	L [mm]	L1 [mm]	⊠	EAN
06-078	215	100	12/180	5907558414417

**NEO TOOLS**



25 years GUARANTEE  
TÜV Rheinland CERTIFIED  
CrV steel  
1/4"

Ref.	L [mm]	⊠	EAN
06-070	65	10/100	5907558403497

**NEO TOOLS**



25 years GUARANTEE  
TÜV Rheinland CERTIFIED  
CrV steel  
1/4"

Ref.	L [mm]	⊠	EAN
06-072	150	12/96	5907558410105
06-073	300	12/48	5907558410112

**T TOPEX**



1/4"

Ref.	L [mm]	L1 [mm]	⊠	EAN
39D860	210	100	12/120	5902062398605

**T TOPEX**



1/4"

Ref.	L [mm]	⊠	EAN
39D337	60	50/200	5902062430052

**T TOPEX**



1/4"

Ref.	L [mm]	⊠	EAN
39D338	60	0/400	5902062430069

**NEO TOOLS**



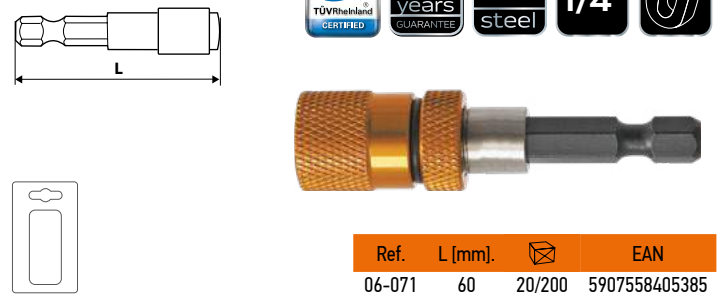
25 years GUARANTEE  
TÜV Rheinland CERTIFIED

CrV steel

1/4"

Ref.	L [mm]	⊠	EAN
06-075	175	10/100	5907558410129

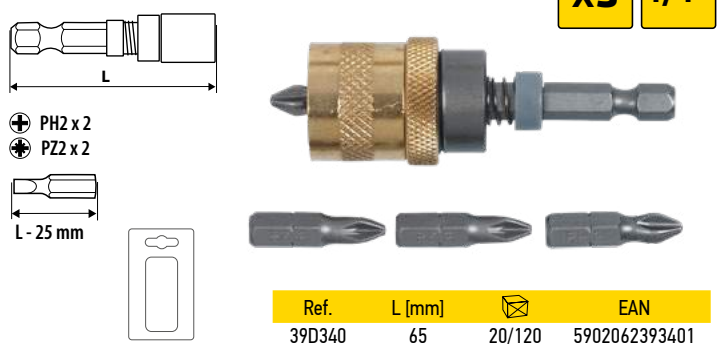
**NEO TOOLS**



TÜV Rheinland CERTIFIED  
25 years GUARANTEE  
CrV steel  
1/4"

Ref.	L [mm]	⊠	EAN
06-071	60	20/200	5907558405385

**T TOPEX**



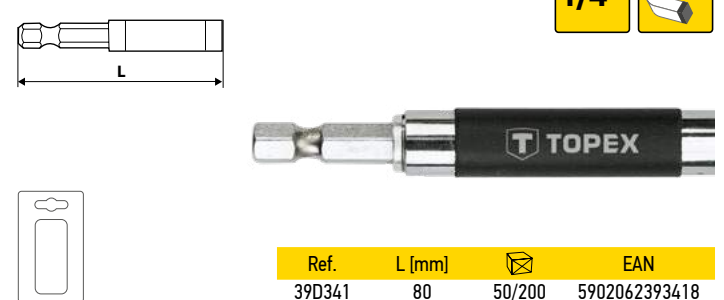
x5 1/4"

⊕ PH2 x 2  
⊕ PZ2 x 2

L - 25 mm

Ref.	L [mm]	⊠	EAN
39D340	65	20/120	5902062393401

**T TOPEX**



1/4"

Ref.	L [mm]	⊠	EAN
39D341	80	50/200	5902062393418

**TOP TOOLS**



Ref.	L [mm]	⊠	EAN
39D339	145	12/120	5902062393395